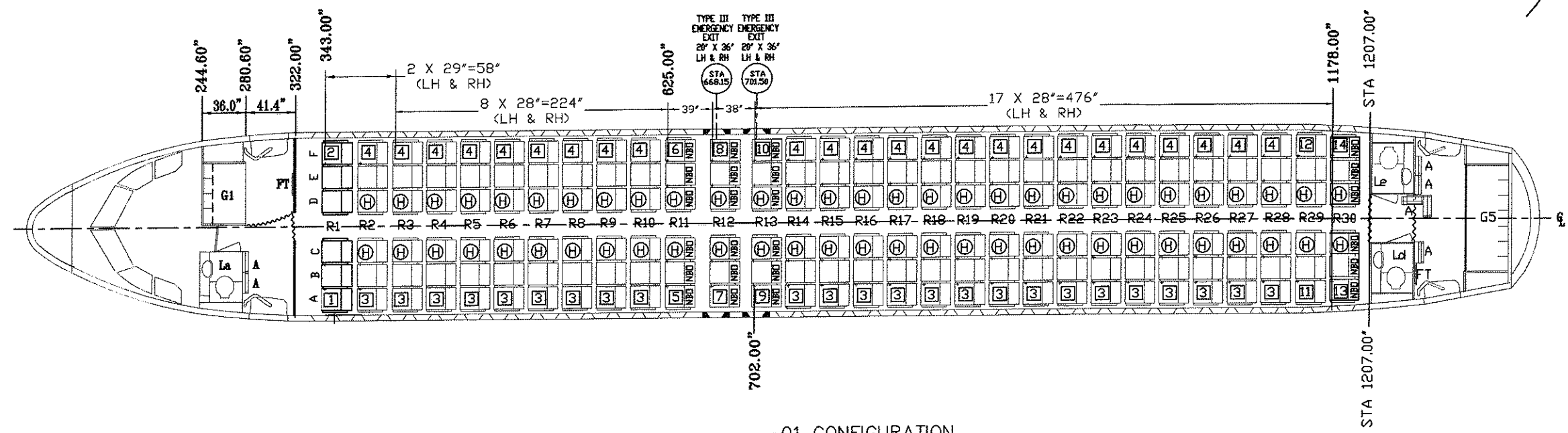


REV	DESCRIPTION	DATE	CHANGED BY	APPROVED
N/C	INITIAL RELEASE	08/25/17		P.BLIJCHA
A	CORRECTED FRT ROW & EXIT ROWS STA	08/31/17	A.TATIYANTS	P.BLIJCHA
B	CHANGED STA. LOC. TO 1178.00" WAS 1178.50"	09/07/17	S. AZMON	<i>[Signature]</i>



-01 CONFIGURATION
(MSN3949, 1757 & 1370)

- LEGEND:**
- FT — FOLDING TABLE
 - G(X) — GALLEY
 - L(X) — LAVATORY
 - A — ATTENDANT SEAT
 - (H) — HANDICAP ARMREST
 - NBD — NO BREAKOVER

6 CENTER OF THE FRONT STUD - TO BE DEFINED AS MEASURE POINT OF PASSENGER SEATS.

5 REFER TO RECARO 3410 MODEL 720-SERIES CMM 25-25-11 PASSENGER SEATS DETAILS AND REGENT AEROSPACE CMM ADDENDUM 25-25-111 FOR MODIFIED PASSENGER SEATS DETAILS.

4 REFER TO RECARO 3410 MODEL 764-SERIES CMM 25-24-73 PASSENGER SEATS DETAILS AND REGENT AEROSPACE CMM ADDENDUM 25-24-731 FOR MODIFIED PASSENGER SEATS DETAILS.

3 MAXIMUM SEAT WEIGHT INCLUDES: SEAT STRUCTURE (INCLUDING ATTACHMENT FITTINGS), CUSHIONS WITH DRESS COVERS, FOOD TRAYS, TRIM (SUCH AS ENDBAY SHROUDS, BUMPERS, ARMCAPS, ARMSHROUDS), OCCUPANT RESTRAINTS & BAGGAGE BARS. TOTAL SEAT WEIGHT DOES NOT INCLUDE OCCUPANT, BAGGAGE, LIFE VEST, OR LITERATURE WEIGHT.

2. ALL SEATS HAVE - "NO RECLINE" FEATURE.

1 CONFIGURATION 4143 IS FOR MSN 3949, 1757 & 1370.

NOTES: UNLESS OTHERWISE SPECIFIED.

MAX SEAT WEIGHT	REQD QTY	PART OR IDENTIFYING NO	OEM P/N	NOMENCLATURE OR DESCRIPTION	ITEM NO
82.4 lb	1	8803851-102	764-32-04	SEAT AY, MODEL 3410 T/C, R/H, NARROW TPL, NO RECL, NO BMFT	4 14
82.4 lb	1	8803851-101	764-31-04	SEAT AY, MODEL 3410 T/C, L/H, NARROW TPL, NO RECL, NO BMFT	4 13
93.0 lb	1	8803852-204	720-32-11	SEAT AY, MODEL 3410 T/C, R/H H/CAP, STD TPL, OFS LEG, NO RECLINE	5 12
93.0 lb	1	8803852-201	720-31-01	SEAT AY, MODEL 3410 T/C, L/H STD TPL, OFS LEG, NO RECLINE	5 11
107.8 lb	1	8803853-404	720-32-33	SEAT AY, MODEL 3410 T/C, R/H EXIT IAT TPL, NO O/B ARMREST, NO B/O	5 10
107.8 lb	1	8803853-403	720-31-23	SEAT AY, MODEL 3410 T/C, L/H EXIT IAT TPL, NO O/B ARMREST, NO B/O	5 9
98.4 lb	1	8803853-302	720-32-32	SEAT AY, MODEL 3410 T/C, R/H EXIT IAT TPL, NO BMFT, NO OUTBD ARMREST, NO RECL., NO B/O	5 8
98.4 lb	1	8803853-301	720-31-22	SEAT AY, MODEL 3410 T/C, L/H EXIT IAT TPL, NO BMFT, NO OUTBD ARMREST, NO RECL., NO B/O	5 7
84.8 lb	1	8803850-308	720-32-12	SEAT AY, MODEL 3410 T/C, R/H H/CAP TPL, NO RECL., NO F/T	5 6
84.8 lb	1	8803850-305	720-31-02	SEAT AY, MODEL 3410 T/C, L/H STD TPL, NO RECL, NO F/T	5 5
93.6 lb	24	8803850-404	764-32-01	SEAT AY, MODEL 3410 T/C, R/H H/CAP TPL, NO RECLINE	4 4
93.6 lb	24	8803850-401	764-31-01	SEAT AY, MODEL 3410 T/C, L/H STD TPL, NO RECLINE	4 3
113.0 lb	1	8803849-402	764-32-11	SEAT AY, MODEL 3410 T/C, R/H FRONT ROW IAT TPL, NO B/O OUTBD, NO RECLINE	4 2
113.0 lb	1	8803849-401	764-31-11	SEAT AY, MODEL 3410 T/C, L/H FRONT ROW IAT TPL, NO B/O OUTBD, NO RECLINE	4 1
3	X	-01		CONFIGURATION, INTERIOR ARRANGEMENT DIAGRAM	

VIVA COLOMBIA USED ON APPLICATION Regent Aerospace Corp. Proprietary right are included in the information disclosed herein. Neither this document nor the information disclosed herein shall be reproduced or transferred to other documents or used or disclosed to others for manufacturing or for any other purpose except as specifically authorized in writing by Regent Aerospace Corp.	A320-214 SEAT MODEL-RECARO 3410 NEXT ASSY	UNLESS OTHERWISE SPECIFIED DIMENSIONS ARE IN INCHES AND PER ASME Y14.5M-1994 CUSHION FOAM & FABRIC .XX ANGLES ±.25 ±.1° PLASTIC & SELF SKINING FOAM: .XX ANGLES ±.03 ±.5° METAL: .XXX .XX ANGLES ±.015 ±.03 ±.5° ENVELOPE: .XX ANGLES ±.12 ±.5°	CONTRACT: DWN: A.TATIYANTS 08/16/17 CHK: P.BLIJCHA 08/16/17 QLT: STRS: APVD: P.BLIJCHA 08/16/17 MAP:	REGENT AEROSPACE CORPORATION VALDIA, CALIFORNIA A320-214 180Y PASSENGER SEATING ARRANGEMENT
			SIZE: C DWG NO: 4143 REV: B SCALE: NONE SHEET 1 OF 2	

8

7

6

5

4

3

B

2

4143

1

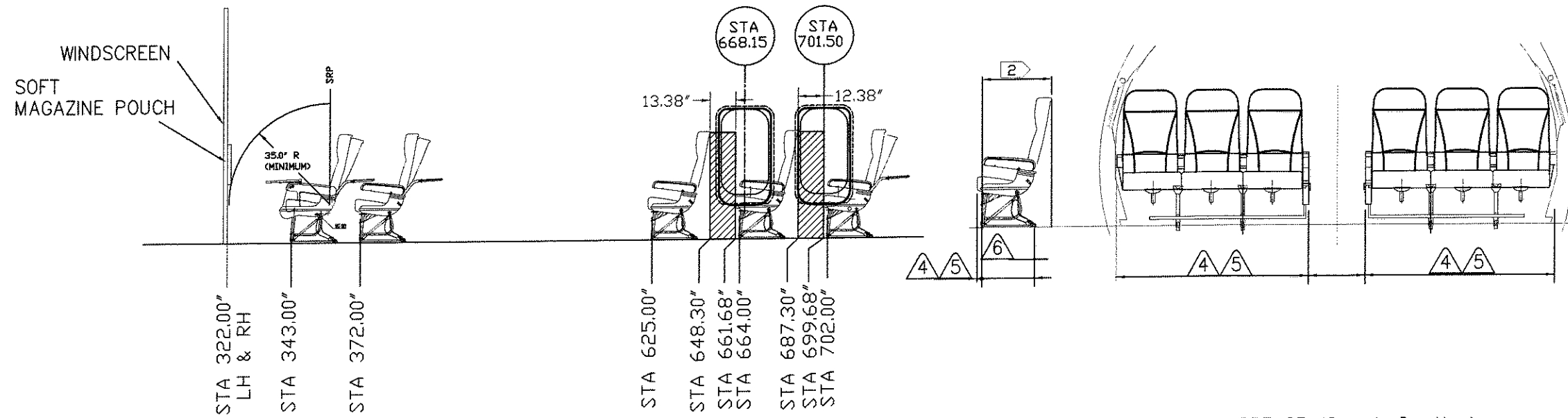
REVISIONS
DESCRIPTION
SEE SHEET #1

D

D

C

C



SIDE VIEW - FIRST ROW AFT OF FWD WINDSCREEN

SIDE VIEW - OVER WING EMERGENCY EXITS

6 ABREAST (Conct. Section)

MSN 3949, 1757 & 1370

B

B

A

A

8

7

6

5

4

3

2

1