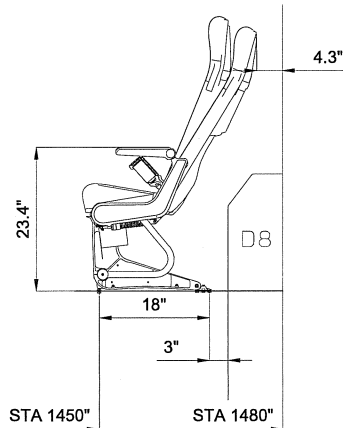
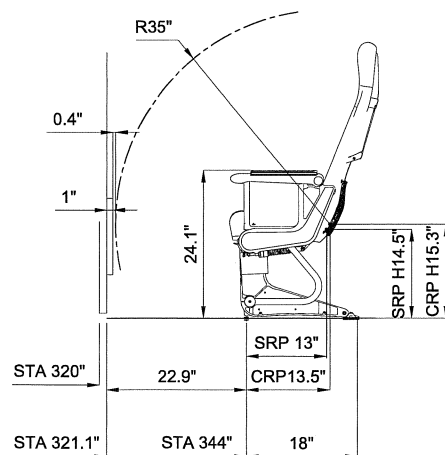


**ORIGINAL
EN ROUGE
IN RED**

FRONT SEAT ROW 1 (LH AND RH)

AFT SEAT ROW 37 (LH AND RH)



GLOSSARY	
DBL	DOUBLE
ER	EXIT ROW
FR	FRONT ROW
IAT	IN ARM TABLE
LC	LAP TABLE COMBINATION
LH	LEFT HAND
LHR	LEFT HAND RECLINE
LB	LIMITED BREAKOVER
NB	NO BREAKOVER
NR	NARROW
PR	PENULTIMATE ROW
RH	RIGHT HAND
RHR	RIGHT HAND RECLINE
RR	REAR ROW
SP	SPECIAL
STA	STATION
STD	STANDARD
TPL	TRIPLE

ALL DIMENSIONS IN MILLIMETRES UNLESS OTHERWISE STATED
 THIS DOCUMENT AND ALL INFORMATION CONTAINED HEREIN IS CONFIDENTIAL AND IS THE SOLE PROPERTY OF AIRBUS INTERIORS SERVICES, AS SUCH IT SHALL NOT BE REPRODUCED OR DISCLOSED TO ANY THIRD PARTY.
 • ALL RIGHTS RESERVED (2017)

DATE 13-MAR-2018
 DRN PMVE-FCO
 CHKD D.PICARD *[Signature]*
 STRESS NIA *[Signature]*

AIRBUS Interiors Services

CONVENTION SIZE A3 LIMITS NOT STATED ABD0001-1 SURFACE FINISH ABD0002 3, 2 IDENTIFICATION MARKINGS ABD0003

TITLE SEAT INSTALLATION A321 AVIAAM DRAWING NUMBER: CD155-252000 SHEET: 01 ISSUE: A